

# Rifle HK 416A5 (Airsoft) Tokyo Marui MWS system

HK416A5 MWS 套件(玩具)



**Disassembly and assembly of the  
HAO's HK 416A5 kit for MWS system**

安裝使用說明書



# Rifle HK 416A5 (Airsoft)

## 416A5 MWS 套件(玩具)

### DANGER

**Risk of death from gunshot wounds!**

**Accidental discharge of weapon may occur when loaded weapon is handled.**

- > Carry out a safety check before working on the weapon.
- > Do not perform maintenance work until you have read and understood this manual and the operator's manual for the weapon described here completely.
- > Follow the safety instructions when handling the weapon.

### 危 險

槍擊至傷可能有生命危險!

持有上膛武器操作導致意外可能!

- > 操作組裝前需全面武器安全檢查。
- > 在完全詳細閱讀此說明書前請勿操作閣下的武器。
- > 請遵照說明書上的安全使用規則。





# Table of contents

<b>Prologue List of Parts</b> 零件總覽.....	6
<b>Part I Assembly of Lower Receiver</b> 下機匣組裝.....	8
<b>1. Install the bolt catch</b> 安裝雙邊網球拍.....	9
<b>2. Install the selector assembly</b> 安裝雙邊射選鈕.....	10
<b>3. Install the Ambi-magazine catch</b> 安裝雙邊退夾鈕.....	11
<b>4. Install the trigger guard</b> 安裝板機護弓.....	12
<b>5. Install the dummy pins</b> 安裝槍身飾.....	12
<b>6. Install the Pivot-Pin and takedown pins</b> 安裝前後插梢.....	13
<b>7. Install the buffer retainer and buffer</b> 安裝拖桿總成.....	14
<b>8. Install the grip</b> 安裝握把.....	15
<b>Part II Assembly of Upper Receiver</b> 上機匣組裝.....	17
<b>1. Install the Inner barrel and Chamber</b> 安裝藥室與內管.....	17
<b>2. Install dust cover</b> 安裝防塵蓋.....	18
<b>3. Install the outer barrel and barrel nut</b> 安裝外管及星狀環.....	18
<b>4. Install Gasblock</b> 安裝瓦斯座.....	19
<b>5. Install Gastube assembly</b> 安裝瓦斯導管總成.....	20
<b>6. Install the muzzle brake</b> 安裝防火帽.....	21
<b>7. Install Handguard</b> 安裝護木.....	21
<b>8. Install the bolt carrier group</b> 安裝槍機總成.....	22
<b>9. Install the Bolt assist</b> 安裝助進器.....	23
<b>10. Install spring tip</b> 安裝上機匣簧片.....	23

 **WARNING**

All HAO kits are all precisely machined for Tokyo Marui MWS specification.

We do not recommend our user to use aftermarket parts on HAO's kit.

 **警告**

416A5 MWS 改裝套件都是由 CNC 機密機床所加工完成。

所有規格都是準確地針對 Tokyo Marui MWS 系統

我們並不建議閣下使用第三方改裝零件裝置 HAO 套件上。

 **BEST COMPATIBLE WITH**



**TOKYO MARUI**



**Prologue:**

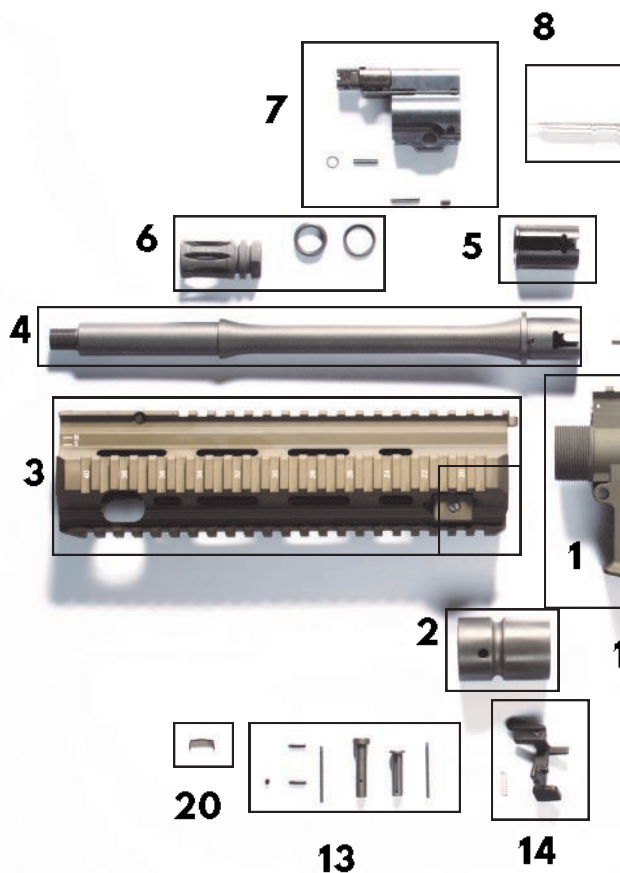
**List of Parts**

**零件總覽**

請閣下仔細檢查套件盒內零件，若缺少零件請聯絡您的經銷商



1. Upper & Lower
2. Barrel nut
3. Handguard
4. Barrel
5. Chamber
6. Muzzle brake
7. Gasblock assembly
8. Gastube assembly
9. Buffer tube & guide
10. Sling plate
11. Castle Nut
12. Ambi-Charging handle
13. Pivot pins
14. Ambi-Bolt catch
15. Ambi-Mag catch
16. Trigger guard
17. Gearbox pin
18. Selector pin
19. Grip
20. Spring tip





1. 上下機莢
2. 星狀環
3. 魚骨護目
4. 槍管
5. HOP-UP 座
6. 防火帽
7. 瓦斯座組
8. 瓦斯導桿組
9. 拖桿及覆進行程調整裝置
10. 背帶扣環
11. 拖桿環
12. 雙邊槍機拉柄
13. 機莢插梢
14. 雙邊網球拍
15. 雙邊退夾鉗
16. 板機護弓
17. 齒輪盒固定梢
18. 雙邊射選鈕
19. 握把
20. 上機莢簧片

## Part I

### Assembly of Lower Receiver

All MWS lower part are extremely not compatible with RS. But the takedown pin · Buffer tube Slot on HAO's kit are compatible with RS.

## 步驟一: 下機莖組裝

MWS 精美的設計讓所有尺寸都與真槍不相同....

但你知道嗎? 我們至少將前後固定插梢和托桿改為可以和真品通用





## Assembly of Upper Receiver 下機英組裝

**Assembly of Lower Receiver:**  
HAO's HK416 A5 MWS kit is precisely machined by CNC Machine center from A7075-T6 allot billet Which is the same material with Real Steel.

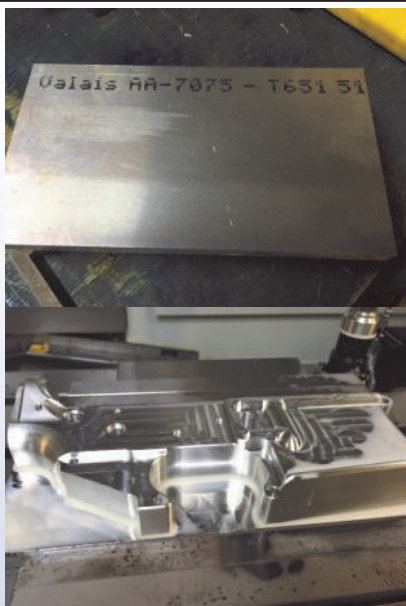
組裝下機英:

MWS416A5 套件是從與真鐵相同的鋁合金 A7075-T6 錠塊經由高精度 CNC 加工中心所加工完成。

### 1. Install the bolt catch

First, insert the bolt catch spring into the slot, And assemble and secure the gearbox into the lower receiver.

1. 安裝雙邊網球拍，首先先將彈簧塞入雙邊網球拍，並將網球拍裝入位置後將火控總程塞入下身內假固定。



## 2. Install the selector assembly

First, insert the safety lever from the left and make sure the pivot pin is in the position(45°)  
Second, install the Right side lever with pin and secure them with screw and pivot pin for the gearbox

### Tip

Push down the trigger hammer make process easier.



## 2. 安裝板雙邊射選鈕:

請先由左至右將先安裝左邊射選板手至軸上，並以一字起撐開圓珠以 45 度方位插入射選總成，完成右邊板手安裝後以固定螺絲鎖緊，並插入總成固定梢。



### 小撇步:

安裝射選鈕時請壓下板機擊錘方便總程軸插入。



3. Install the Ambi-magazine catch  
First pre-assemble the catch carefully with small hammer, and insert the assembly from the left to the right. Then put the spring and secure the push bottom tight.



 **WARNING**

Please make sure your bolt catch is in position, magazine may fall with improper installation!

3. 安裝雙邊退夾鈕:

首先先預先將雙邊退夾鈕組合，並從左至右插入下槍身，並在右側套入彈簧後鎖入退夾鈕。



 **注 意**

請正確地將退夾鈕鎖入正確的位置，否則恐會造成彈夾滑落!



#### 4. Install the trigger guard

Assemble the spring knob in the front then Secure the trigger guard with spring pin rear then insert the pivot knob in the front.

#### 4. 安裝板機護弓、前後插梢、節鈕:

請先安裝前方快拆裝置，並用彈簧梢將板機護弓固定在後，再將板機護弓按鈕壓住塞入前孔位固定。



#### 5. Install the dummy pins

Please carefully use the glue to 4 set of the dummy pins with Crings.

#### 5. 安裝裝飾梢

請小心地用膠水黏住左右兩面共四組裝飾梢，別忘了 C 型扣也要裝上。



6. Install the Pivot-Pin and takedown pins  
Insert Pivot-Pin spring and then the Pivot-pin  
Stopper into the corresponding hole from the  
front of the receiver. While holding both  
Parts inside the hole, insert the Pivot-Pin  
through the lower receiver as shown.

**Note**

MWS "original takedown pins will not fit in  
HAOs HK416A5 kit due to MWS are using Air-  
soft spec instead of Real Steel one.  
Please use our takedown pins or purchase  
others for Real steel.

6. 安裝前後槍身固定插梢：

首先先將槍身固定插梢插入，再將小插梢和彈簧依序放入  
後孔位後用六角螺絲鎖緊。再依序先放入彈簧、小插梢，  
後將前插梢插入固定。

**注意**

MWS 原廠的前後固定插梢是無法裝進 416A5 MWS  
的，因為原廠使用的是玩具規格而不是真鐵規格，請使用  
我們附贈的前後插梢，或者選購閣下喜歡的真鐵插梢。



**7. Install the buffer retainer and buffer**  
**First, install the retainer and retainer spring**  
**inside the slot on the receiver, then hold it.**  
**Second, drive the extension just above the**  
**retainer to catch it. Third, install the buffer**  
**spring and buffer assembly inside**

**Note**

**HAO's OTB buffer tube and lower receiver is**  
**made in inch and Mil-spec, the OEMMWS**  
**tube is not compatible with our kit. Please**  
**source out the Commercial/Military spec RS**  
**tube if you want to replace it. \*the rolling**  
**pins could use as adjustment for the differ-**  
**ent spec of stock. (Commercial/Military)**

7. 安裝覆進卡榫和槍托托桿

首先先安裝覆進卡榫及彈簧到該圖位置，並用手預先壓住，再將托桿順時鐘鎖入致剛好可卡住，再將覆進簧和覆進桿依序塞入。

注意:

OTB 拖桿規格及下機英為英制牙真品軍用規格，所以無法使用 MWS 原廠之拖桿/拖，閣下如果有改裝需求可以使用真品拖桿/拖。也可以使用商規拖靠滾珠螺桿調整鬆



## 8. Install the grip

First put the grip into the set and drive tight with a hex.

### **Note**

Since we're using tight-design, some modification may required.

### 8.安裝握把

首先先將握把卡入正確位置，再用六角板手將握把鎖緊。



### 注意:

因 V7 握把採緊配設計，玩家可以修改握把內襯方便安裝

## Part II

### Assembly of Upper Receiver

All MWS upper part are extremely not compatible with RS. But in HAO's HK416A5 kit you are allow to install Real Steel handguard and it's barrel nut without any modification.

### 步驟一：上機莖組裝

MWS 精美的設計讓所有尺寸都與真槍不相同....

但你知道嗎? 我們至少將上槍身的的軌道高度、魚骨尺寸、星狀環和真品通用





## Assembly of Upper Receiver 上機英組裝

**Assembly of Upper Receiver:** Upper receiver assembly includes the barrel, which is the key to controls accuracy. Prepare your tools such like a vice (or preferably the upper receiver clamp).

組裝上機英:

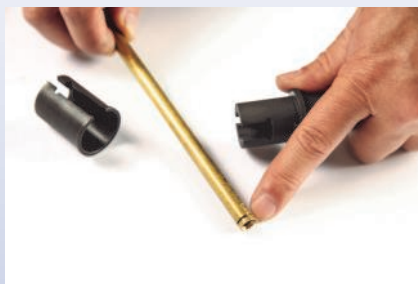
上機英的組裝包含了槍管，而槍管是精準射擊的關鍵，因此請準備好齊全的工具。(帶有橡膠固定裝置的虎鉗)



**1. Install the Inner barrel and Chamber**  
**First, you have to loose the OEM O ring on the barrel first since our barrel is too tight for that. And follow the instruction on the left and below to secure the assembly secured.**

1. 安裝內管和藥室:

首先將原廠內管的 O-Ring 移除，因為我們的槍管做的非常緊密，再將內管塞入左圖示中的凹槽，再依下圖指示套入藥室。





## 2. Install dust cover:

First, set E-Clip groove over the shaft. Second set the spring and dust cover on the shaft from front end. Finally, insert the assembly through.



### 2. 安裝防塵蓋:

防塵蓋:先將 E 環扣預先扣上固定梢上, 再固定防塵蓋和彈簧在上身上, 再整組穿過固定即完成安裝。

## WARNING

HAO's HK416A5 upper thread is end with Real Steel metric which is not compatible with stock MWS M4 barrel nut. Wrong tread driving may damage the upper thread!

3. Install the outer barrel and barrel nut:  
Make sure the barrel knob is on up and gently insert into the barrel slot. Then drive barrel nut clock wise to tighten up the barrel.

You can find out our [tool here](#)



## 注 意

416A5MWS 的上機英牙為公制真槍牙及牙長, 原廠及他廠的星狀環無法使用, 請選用給真品 HK416A5 使用之公制星狀環, 使用錯誤牙規會造成無法修復的槍身損壞!

### 3. 安裝外管、瓦斯座和星狀環:

首先先確認槍管卡榫在上, 然後將外管再小心的插入槍管室凹槽, 並在以順時鐘方向將星狀環鎖緊。最後安裝瓦斯座; 請先以彈簧梢固定先再用六角螺絲固定。請確認瓦斯導管、瓦斯座是和槍身保持水平。

可以參考選購我司的 [多功能工具](#)。



**4. Install Gasblock:**

First push the shaft from inside out, Second, insert the O-ring from rear to the end. Third, insert and secure the adjust device. Fourth, insert the Spring clip, make sure the knob is face up. And use the screw and pin to secure the position. Please make sure the gas tube is parallel with upper receiver.

**Tip**

Use the white paint pen to color your knob: N stand for Normal, S stand for Suppressed

4. 安裝瓦斯座總成

先將軸承從內至外推出瓦斯座，再用 O-ring 套進凸起處，再用彈簧梢敲入選擇裝置，簧片凸起在上插入插槽內固定。最後再用螺絲確認水平位置，並以插梢敲入固定。請確認瓦斯座和上機英保持水平。

小撇步:

可以使用附贈之油漆筆將選擇鈕上色: \*N 代表 Normal S 代表 Suppressed





### 5. Install Gas tube assembly

First put the piston thruster into the gas block then insert the remaining assembly in to the upper.

#### 5. 安裝瓦斯導管總成:

首先將瓦斯推進器安裝進瓦斯座，在依序如圖將瓦斯導管總成塞入。



### WARNING

HAO's HK416 A5 full compensate cage muzzle brake and 11" gundrilled steel barrel are end with 1/2-28RH inch which is fully compatible with Real steel muzzle brake. Wrong thread driving may damage the barrel!

### 6. Install the muzzle brake

First put the muzzle brake's nut on the barrel and use wrench to tighten the muzzle brake clock wise.

#### 6. 安裝防火帽

首先將火帽環先套上外管上再將防火帽以板手順時鐘轉鎖緊。



### 注意

416A5MWS 套件所附的全開鳥籠火帽及 10.4" 槍鑽鋼管都是以真品英制牙規 1/2-28RH 規格下去製作，請使用我們提供之火帽或選購真品規格之火帽，錯誤牙規可能造成槍管永久性毀損！



## 7. Install Handguard

First, pull the secure screw out of the handguard and push the handguard gently through the muzzle brake, gasblock and slightly adjust the position to meet the barrel nut to the end. Then use the flathead screwdriver to tighten up the handguard.

### 7. 安裝護木:

首先先將螺絲拔出到固定位置，在將護木溫柔的從防火帽、瓦斯座經由瓦斯導管套入，請小心地調整護木的位置，再將他套入星狀環，並用一字螺絲插入後鎖緊。



**8. Install the bolt carrier group:**  
**Please insert the Ambi-Charging handle into the position like pic on the right, then insert the BCG together.**

8. 安裝槍機總成:

請先將所附之雙邊槍機拉柄塞入上機英，並將拉柄拉至右圖位置再將槍機總成插入，再一併推入上機英。



**9. Install the Bolt assist**

**Since the bolt assist is not included in the kit, you have to use the original bolt assist to transplant.**

9. 安裝槍機助進器:

請將原槍的槍機助進器移除後，依照右圖圖示裝回。首先先將助進器連同彈簧預先組裝好，並施力塞入孔內，並先用手固定住，再以軟槌敲入彈簧梢固定



**10. Install spring tip:**

The Spring tip (#20) is the iconic device on the HK416A5 for reduce the vibration while firing. To install the device, First, spray the super-glue on the rear slot on the upper, then use the pliers to bend the tip, You have to wait for an hour to make sure the glue dry.

10. 安裝上機英簧片:

HK416A5 專屬機構，用於減少上下身晃動。首先將零件#20 取出，先用強力膠水抹於上機英後身之凹槽，並用虎鉗夾至變形固定，靜置 1 小時。











---

# No Compromise

---

**Quality . Innovation . Service . Safety**

